



**Calibre Solutions Ltd**  
145 Hepburn Rd, Waitakere 0602

Freephone: 0800 422 542  
Phone: +64 9 813 1303  
Fax: +64 9 813 1319

**Fumeflow TD400**  
**Technical Data Sheet**

Description Direct Drive In Line Centrifugal fan

Construction

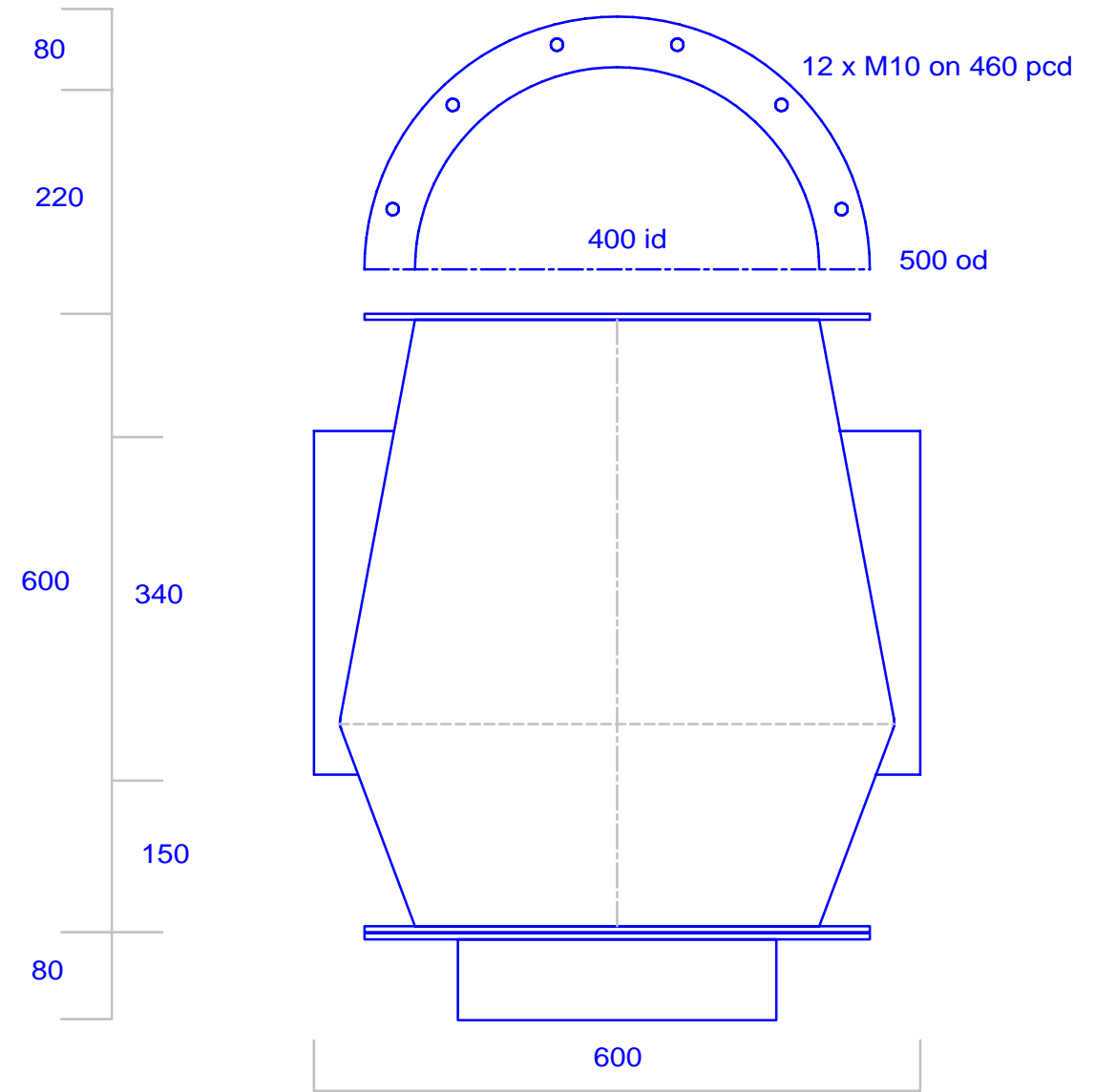
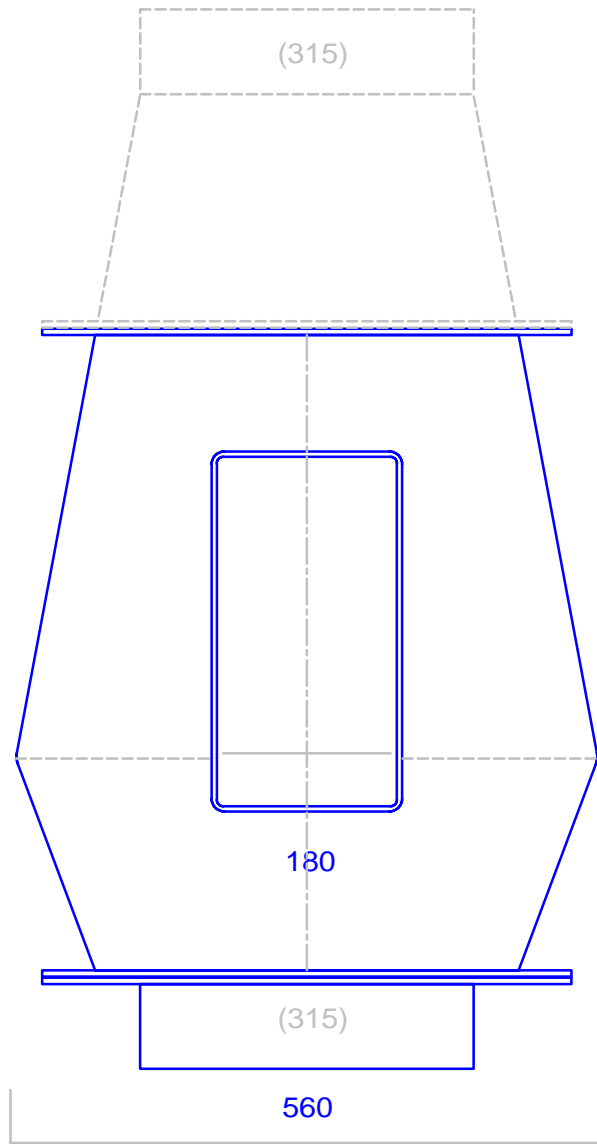
Body Moulded and Fabricated uPVC  
Impeller Backward curve Injection Moulded Polypropylene  
Motor 3 phase 0.55kW 4 pole M80 frame housed out of airstream

Dimensions See drawing page 2

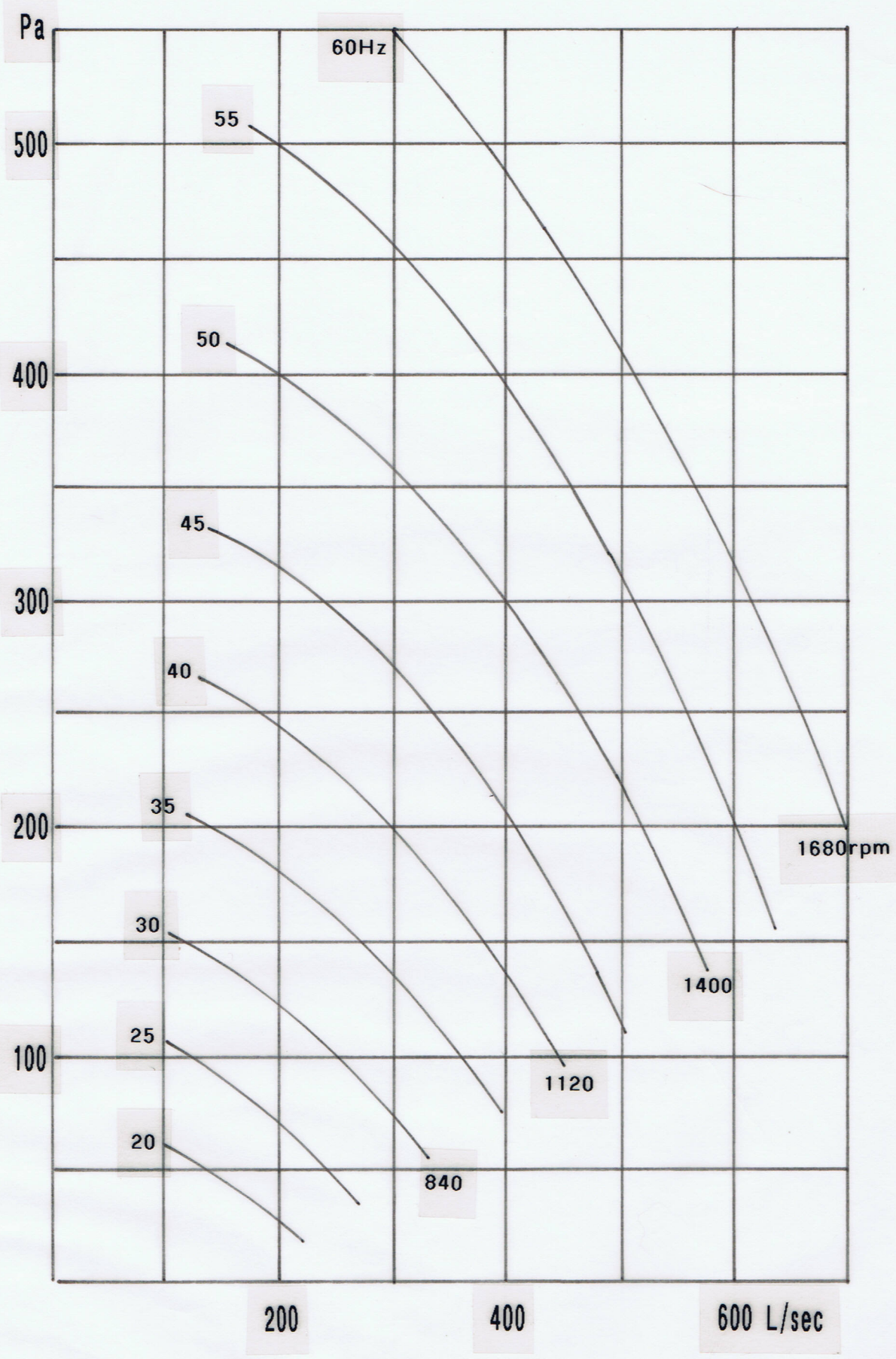
Duty See fan curves page 3

Noise 1m from inlet

Hz	63	125	250	500	1K	2K	4K	8K
dB	69	66	62	67	62	54	48	40



Calibre Plastics Ltd - Fumeflow Model TD400 Fan



FUMEFLOW MODEL TD400 FAN

Calibre Plastics Ltd

SCALE:  
DATE:

DRAWN:  
APPROVED:
